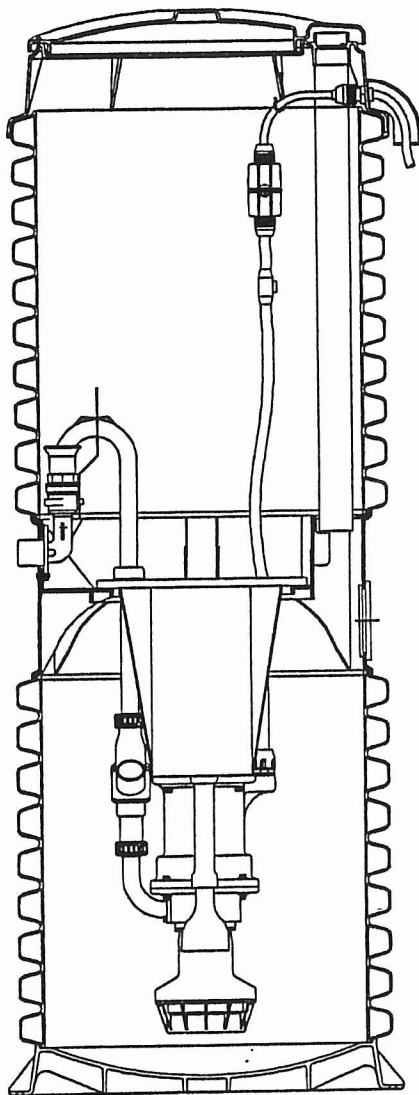


# GP2010



## General Applications

The size, efficiency and operating economy of the GP 2010 make it your best choice for single dwellings, waterfront property, subdivision developments and marinas. The GP 2010 is ideally suited for both new and existing communities.

## Features

The GP2010 Grinder Pump is a complete unit that includes: the grinder pump, check valve, HDPE (high density polyethylene) tank and controls. The GP2010 is packaged into a single complete unit, ready for installation.

All solids are ground into fine particles, allowing them to pass easily through the pump, check valve, and small diameter pipe lines. Even objects that are not normally found in sewage, such as plastic, rubber, fiber, wood, etc. are ground into fine particles.

The 1-1/4" inch discharge connection is adaptable to any piping materials, thereby allowing us to meet your local code requirements.

The tank is made of tough corrosion resistant HDPE. The optimum tank capacity of 70 gallons is based upon computer studies of water usage patterns. A single GP 2010 can accommodate the sewage flow from two single family homes or 700 gallons per day.

The internal check valve assembly, located in the Grinder Pump, is custom designed for non-clog, trouble-free operation.

The Grinder Pump is automatically activated. It runs infrequently for very short periods. The annual energy consumption is typically that of a 40 watt light bulb.

Units are available for indoor and outdoor installations. Outdoor units are designed to accommodate a wide range of depths.

## Operational Information

### Motor

1 HP, 1,725 RPM, high torque, capacitor start, thermally protected, 120/240 V / 60 Hz, one phase

### Inlet Connections

4" inlet grommet standard for DWV pipe. Other inlet configurations available from the factory.

### Discharge Connections

Pump discharge terminates in 1-1/4" NPT female thread. Can easily be adapted to 1-1/4" PVC pipe or any other material required by local codes.

### Discharge\*

15 gpm at 0 psig  
11 gpm at 40 psig  
9 gpm at 60 psig

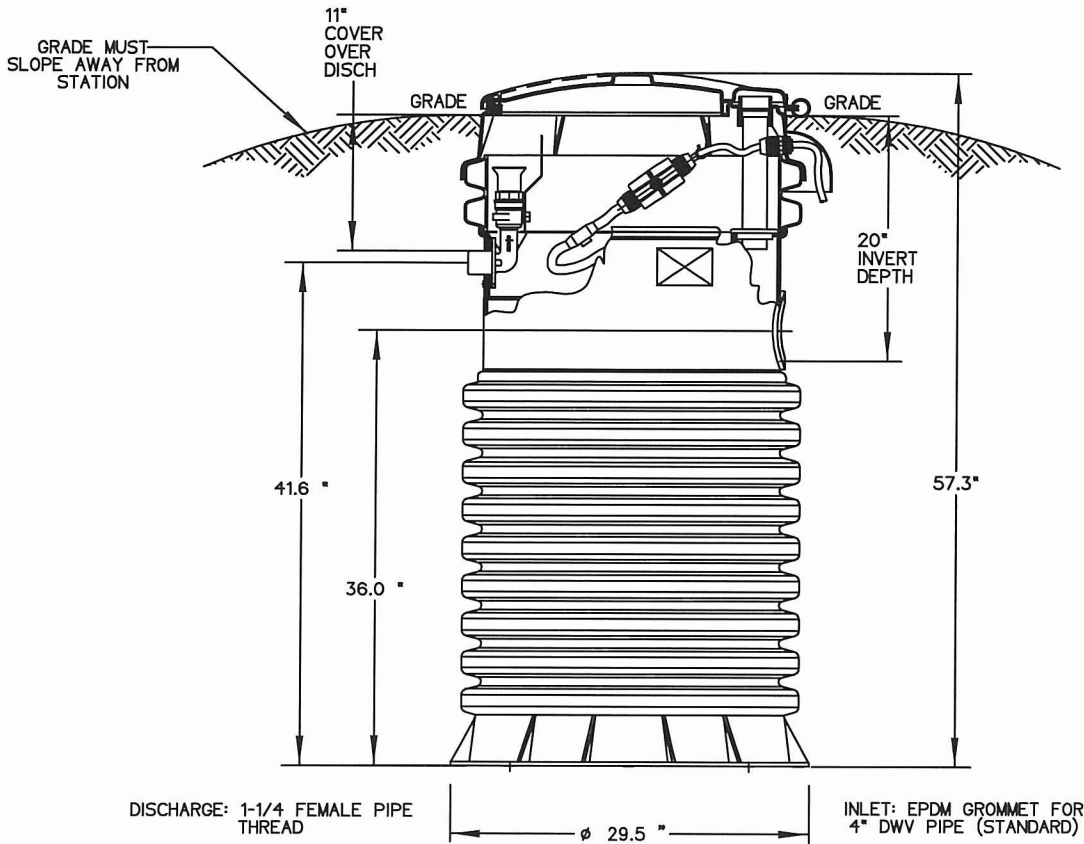
### Overload Capacity

The maximum pressure that the pump can generate is limited by the motor characteristics. The motor generates a pressure well below the rating of the piping and appurtenances. The automatic reset feature does not require manual operation following overload.

Patent Numbers: 5,752,315 5,562,254  
5,439,180

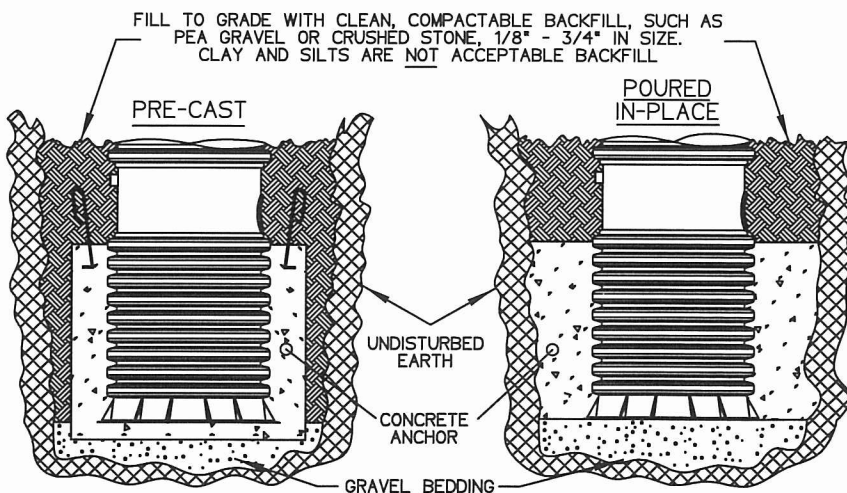
\* Discharge data includes loss through check valve, which is minimal.

Printed in USA, on Recycled Paper  
PA1346P01 Rev. B, 1/99



\*\*SEE INSTALLATION INSTRUCTIONS FOR FURTHER DETAILS

NOTE: A CONCRETE ANCHOR OF 1500 lbs (9.8 cu ft) IS REQUIRED ON ALL MODEL 2010 58" STATIONS.



SGS	CAH	01/21/99	A	1/16
DR BY	CHK'D	DATE	ISSUE	SCALE



MODEL 2010-58

PA 0856 P02