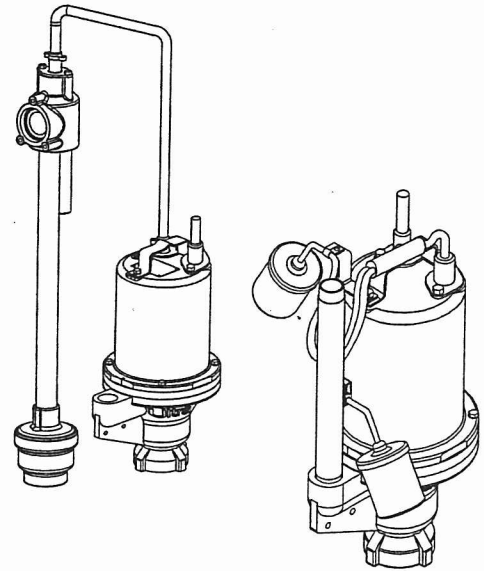


### Specifications:

<b>DISCHARGE</b> .....	1¼" NPT, Vertical
<b>LIQUID TEMPERATURE</b> .....	104°F (40°C) Continuous
<b>MOTOR HOUSING</b> .....	Cast Iron ASTM A-48, Class 30.
<b>SEAL PLATE</b> .....	Cast Iron ASTM A-48, Class 30.
<b>SUCTION SPACER</b> .....	Cast Iron ASTM A-48, Class 30.
<b>SUCTION HOUSING</b> .....	Cast Iron ASTM A-48, Class 30.
<b>PUMP ROTOR</b> .....	Hard chrome plated 400 series Stainless steel
<b>PUMP STATOR:</b>	
<i>Design</i> .....	Double Helix
<i>Material</i> .....	Buna-N
<b>SHREDDING RING</b> .....	Hardened 440C Stainless Steel Rockwell® C-55.
<b>CUTTER</b> .....	Hardened 440C Stainless Steel, Rockwell® C-55.
<b>SHAFT</b> .....	416 Stainless Steel
<b>SQUARE RINGS</b> .....	Buna-N
<b>HARDWARE</b> .....	300 Series Stainless Steel
<b>PAINT</b> .....	Air Dry Enamel.
<b>SEAL:</b>	
<i>Design</i> .....	Single Mechanical
<i>Material</i> .....	Rotating Faces - Carbon Stationary Faces - Ceramic Elastomer - Buna-N Hardware -300 Series Stainless
<b>CORD ENTRY</b> .....	15 ft. (4.5m) Std. Cord. Custom Molded Quick Connect, for Sealing and Strain Relief.
<b>CORD</b> <i>Automatic</i> .....	CSA/UL Approved 12/5 Type SOW
<b>UPPER BEARING:</b>	
<i>Design</i> .....	Single Row, Ball, Oil Lubricated
<i>Load</i> .....	Radial
<b>LOWER BEARING:</b>	
<i>Design</i> .....	Single Row, Ball, Oil Lubrication
<i>Load</i> .....	Radial & Thrust
<b>MOTOR:</b>	
<i>Design</i> .....	Oil-Filled, Squirrel Cage Induction
<i>Insulation</i> .....	Class B
<i>Type</i> .....	Permanent Split Capacitor (PSC) Includes overload Protection In the motor
<b>LEVEL CONTROL:</b>	
<i>AUF Series</i> .....	On/Off & Alarm wide angle, PVC Mechanical normally open, Integral to pump. Custom molded quick connect for sealing and strain relief
<i>AUE Series</i> .....	<b>SOLD SEPARATELY (See Accessory Section F page 23)</b> Model ESPS-150, Environmentally sealed pressure switch with CPVC housing, Buna diaphragm, Custom molded quick connect for sealing and strain relief
<b>OPTIONAL EQUIPMENT</b> .....	Seal Material, Additional cord, Moveable Fitting



### Series: SGPC-AU 1HP, 1750RPM, 60Hz with Level Control



CSA 108 - File No. LR16567  
UL 778  
"AUF" series pump NOT UL or  
CSA listed

NRTLIC

### DESCRIPTION:

THE GRINDER PUMP IS DESIGNED TO  
REDUCE DOMESTIC SEWAGE TO A FINELY  
GROUND SLURRY.

# Models SGPC-AU

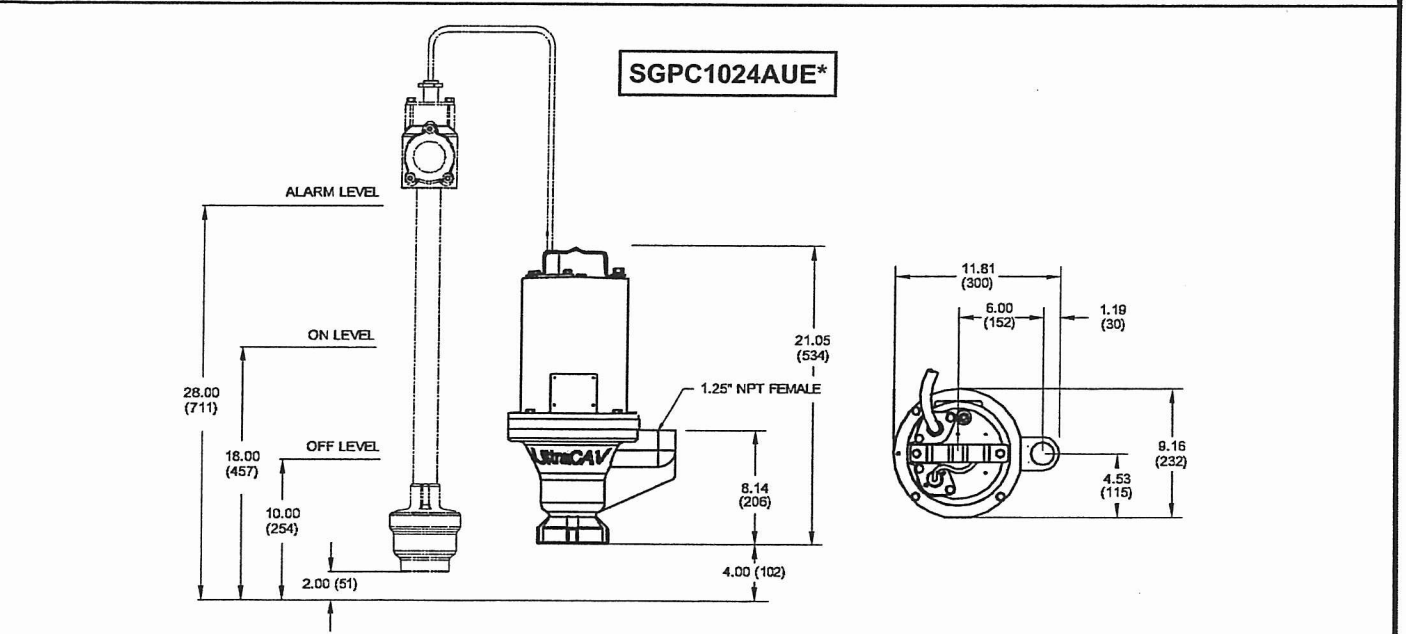
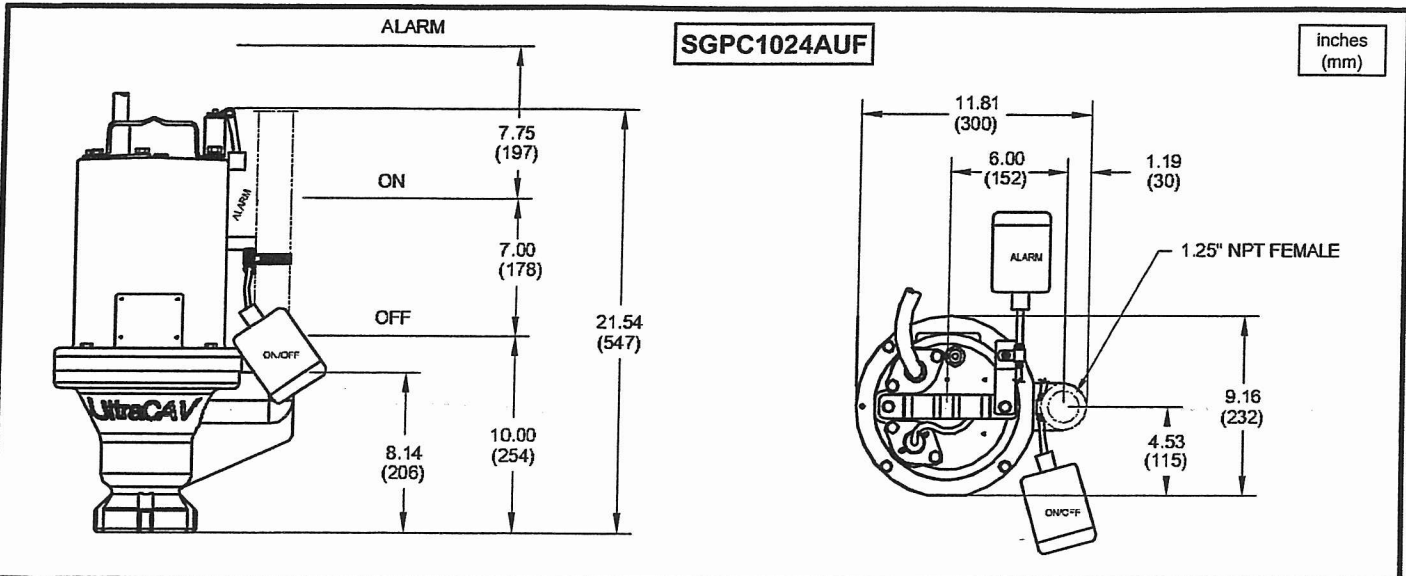
Progressing Cavity  
with Level Control



www.cranepumps.com

## Submersible Grinder Pumps

PS-014



MODEL NO	PART NO	HP	VOLT	PH/Hz	RPM (Nom)	NEMA START CODE	FULL LOAD AMPS	LOCKED ROTOR AMPS	CORD SIZE	CORD TYPE	CORD O.D. ± .02 (.5) in (mm)
SGPC1024AUF	116891	1	240	1 / 60	1750	D	9.2	17.5	12/5	SOW	.71 (18)
SGPC1024AUE*	116895	1	240	1 / 60	1750	D	9.2	17.5	12/5	SOW	.71 (18)

(\* ) ESPS Level Control Sold Separately, See Accessory Section F page 23.

**IMPORTANT !**

- 1.) PUMP MAY BE OPERATED "DRY" FOR EXTENDED PERIODS WITHOUT DAMAGE TO MOTOR AND/OR SEALS.
- 2.) THIS PUMP IS APPROPRIATE FOR THOSE APPLICATIONS SPECIFIED AS CLASS I DIVISION II HAZARDOUS LOCATIONS.
- 3.) THIS PUMP IS NOT APPROPRIATE FOR THOSE APPLICATIONS SPECIFIED AS CLASS I DIVISION I HAZARDOUS LOCATIONS.
- 4.) INSTALLATIONS SUCH AS DECORATIVE FOUNTAINS OR WATER FEATURES PROVIDED FOR VISUAL ENJOYMENT MUST BE INSTALLED IN ACCORDANCE WITH THE NATIONAL ELECTRIC CODE ANSI/NFPA 70 AND/OR THE AUTHORITY HAVING JURISDICTION. THIS PUMP IS NOT INTENDED FOR USE IN SWIMMING POOLS, RECREATIONAL WATER PARKS, OR INSTALLATIONS IN WHICH HUMAN CONTACT WITH PUMPED MEDIA IS A COMMON OCCURRENCE.

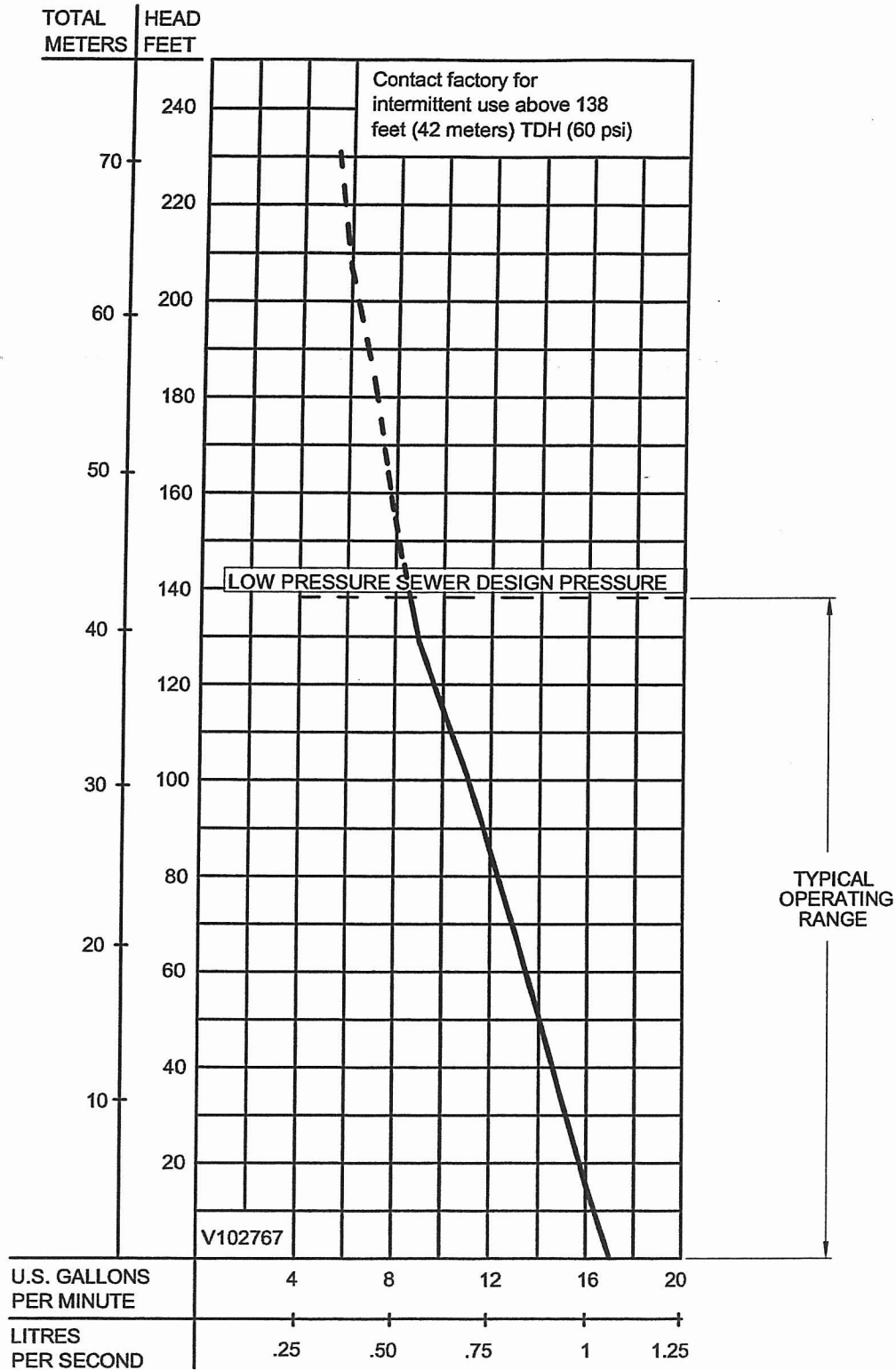
SECTION A  
PAGE 30  
DATE 11/03



A Crane Co. Company

## PUMPS & SYSTEMS

USA: (937) 778-8947 • Canada: (905) 457-6223 • International: (937) 615-3598



Testing is performed with water, specific gravity 1.0 @ 68° F @ (20°C), other fluids may vary performance