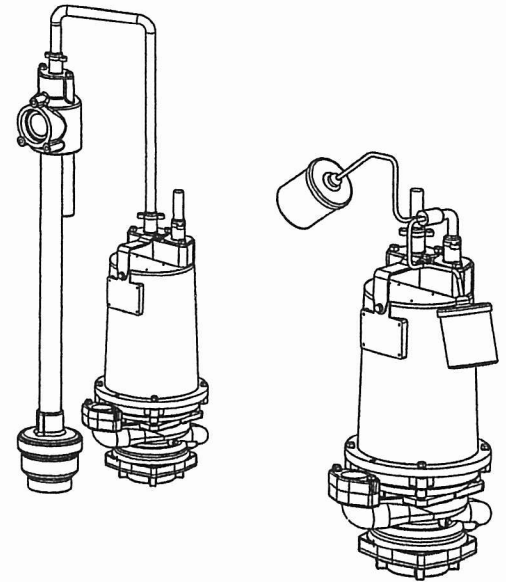


PS-095

### Specifications:

<b>DISCHARGE</b> .....	1 1/4" NPT, Vertical, Bolt-on Flange
<b>LIQUID TEMPERATURE</b> .....	104°F (40°C) Continuous
<b>VOLUTE</b> .....	Cast Iron ASTM A-48, Class 30
<b>MOTOR HOUSING</b> .....	Cast Iron ASTM A-48, Class 30
<b>SEAL PLATE</b> .....	Cast Iron ASTM A-48, Class 30
<b>IMPELLERS: Design</b> .....	12 Vane, Vortex, With Pump Out Vanes On Back Side. Dynamically Balanced, ISO G6.3.
<i>Material</i> .....	85-5-5-5 Bronze
<b>IMPELLER SPACER</b> .....	300 Series Stainless Steel
<b>SHREDDING RING</b> .....	Hardened 440C Stainless Steel Rockwell@ C-55.
<b>CUTTER</b> .....	Hardened 440C Stainless Steel, Rockwell@ C-55.
<b>SHAFT</b> .....	416 Stainless Steel
<b>SQUARE RINGS</b> .....	Buna-N
<b>HARDWARE</b> .....	300 Series Stainless Steel
<b>PAINT</b> .....	Air Dry Enamel.
<b>SEAL:</b>	
<i>Design</i> .....	Single Mechanical
<i>Material</i> .....	Rotating Faces - Silicon-Carbide Stationary Faces - Silicon-Carbide Elastomer - Buna-N Hardware -300 Series Stainless
<b>CORD ENTRY</b> .....	15 ft. (4.5m) Std. Cord. Custom Molded Quick Connect, for Sealing and Strain Relief
<b>CORD</b>	
<i>Automatic</i> .....	CSA/UL Approved 12/5 Type SOW
<b>UPPER BEARING:</b>	
<i>Design</i> .....	Single Row, Angular contact Ball
<i>Lubrication</i> .....	Oil
<i>Load</i> .....	Radial & Thrust
<b>LOWER BEARING:</b>	
<i>Design</i> .....	Single Row, Angular contact Ball
<i>Lubrication</i> .....	Oil
<i>Load</i> .....	Radial & Thrust
<b>MOTOR:</b>	
<i>Design</i> .....	NEMA L-Single Phase Torque Curve, Oil-Filled, Squirrel Cage Induction
<i>Insulation</i> .....	Class F
<b>SINGLE PHASE</b> .....	Capacitor Start/Capacitor Run.
<b>LEVEL CONTROL:</b>	
<i>AUF Series</i> .....	On/Off & Alarm wide angle, PVC Mechanical normally open, Integral to pump. Custom molded quick connect for sealing and strain relief ( <b>NOT UL or CSA LISTED</b> )
<i>AUE Series</i> .....	<b>SOLD SEPARATELY (See Accessory Section F page 23) Model ESPS-150,</b> Environmentally sealed pressure switch with CPVC housing, Buna diaphragm, Custom molded quick connect for sealing and strain relief
<b>OPTIONAL EQUIPMENT</b> .....	Cord Length, Moveable Fitting



### Series: OGP-AU 2HP, 3450RPM, 60Hz with Level Control

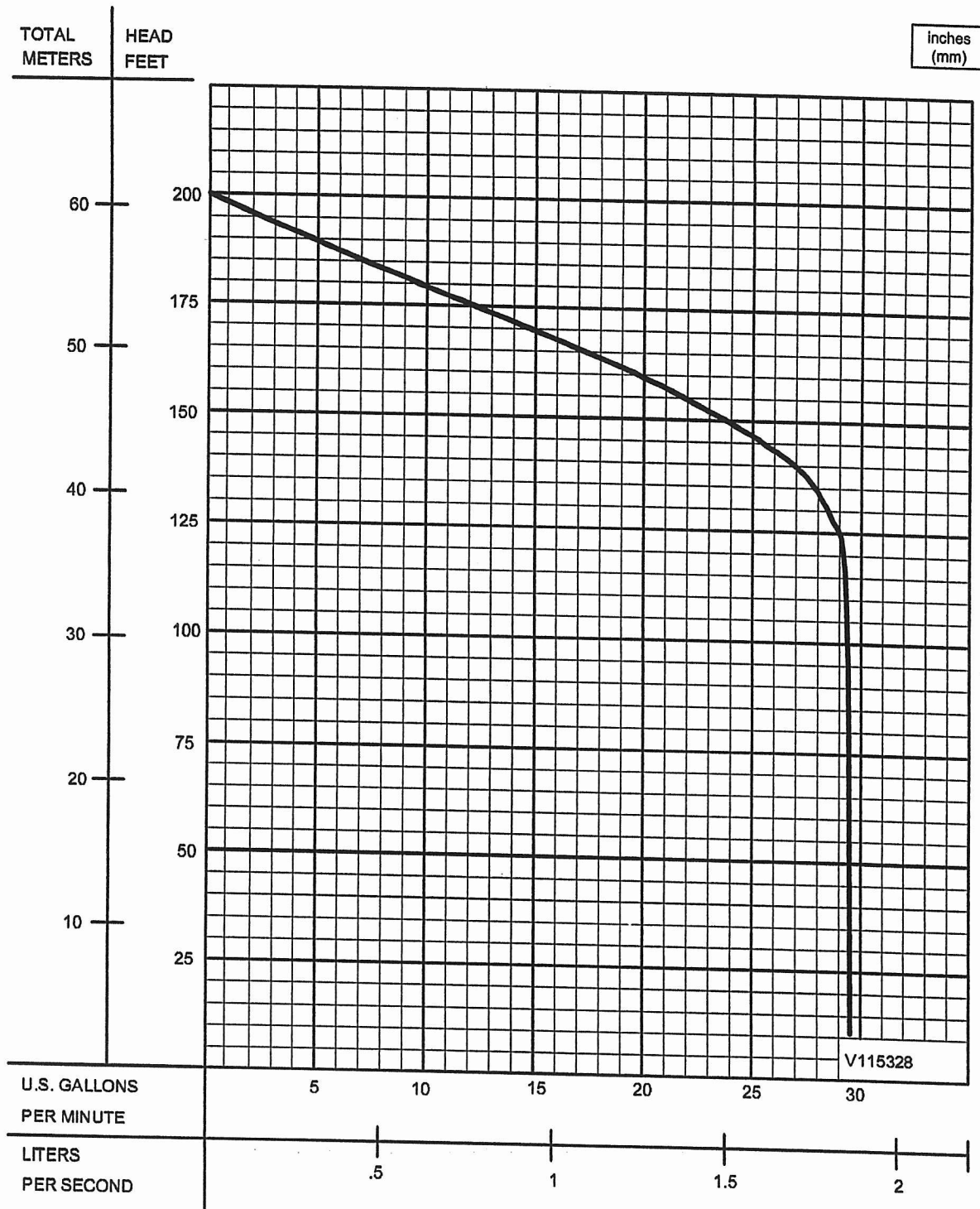


CSA 108 - File No. LR16567  
UL 778  
"AUF" series pumps NOT UL or  
CSA Listed

### DESCRIPTION:

THE GRINDER PUMP IS DESIGNED TO  
REDUCE DOMESTIC SEWAGE TO A FINELY  
GROUND SLURRY.

PS-097



Testing is performed with water, specific gravity 1.0 @ 68° F @ (20°C), other fluids may vary performance